

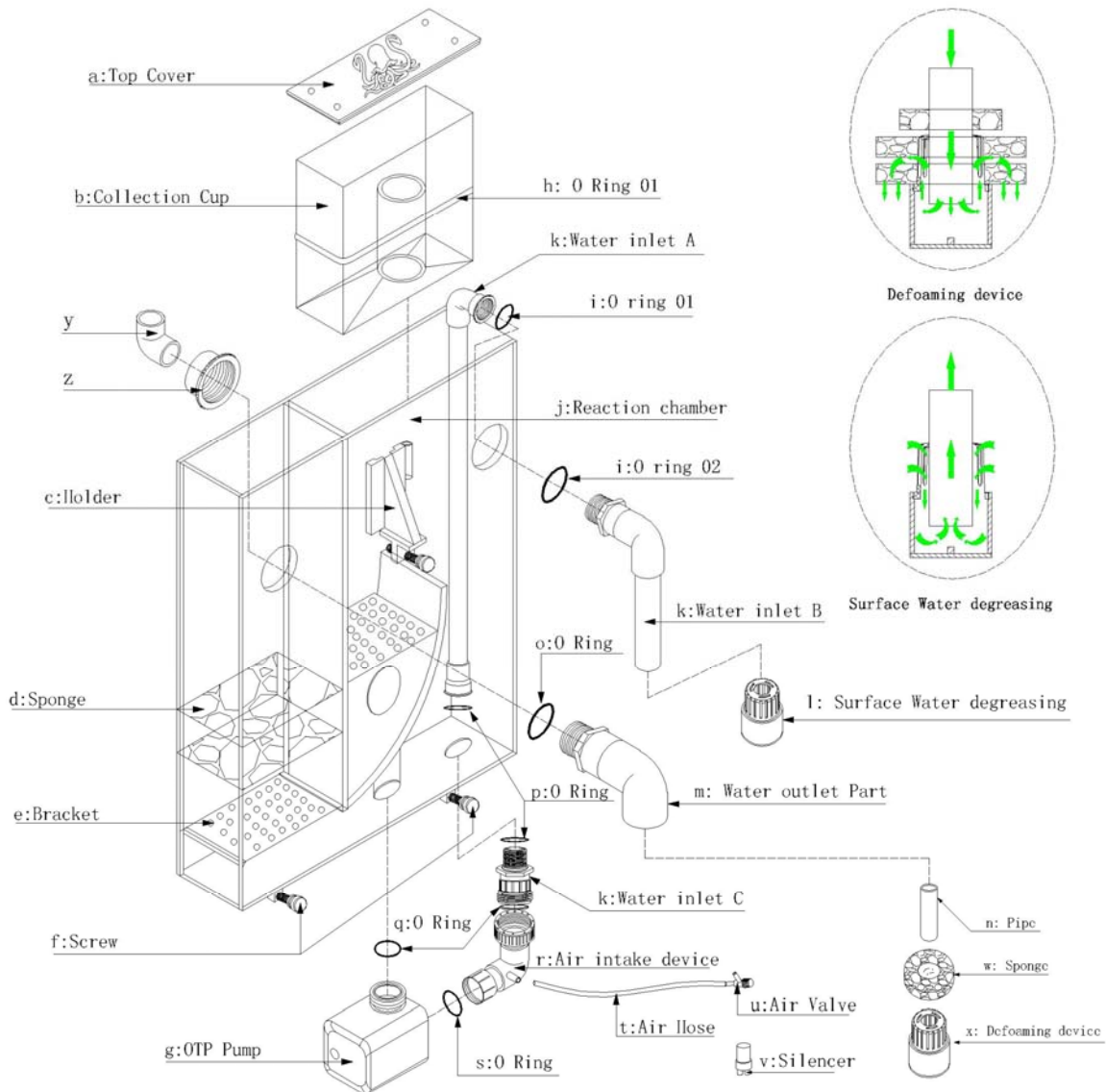
Reef Octopus BH-1000/BH-2000

Hangan Back skimmer

Function of protein skimmer:

Protein skimmer are applied to most saltwater aquarium to remove certain organic compounds, including proteins and amino acids, by using the polarity of the protein itself, from the water to stop most of them decomposing into nitrogenous waste. Because of the intrinsic charge, water-borne proteins are attracted to the air-water interface. Protein skimmers works by infusing numerous tiny bubbles into the water chamber, which present an enormous air-water interface for the protein molecules to cling to. The more tiny bubbles reside in the chamber, the more proteins it absorbs.

Protein skimming is the only way of physical filtration that get rid of the organic compounds before its decomposity, lightening the load on the biological filter and improving the water's redox potential.



Parts check list

a. Top cover	h: O-ring 01	o: O Ring
b. Collection cup	i: O Ring 01	p: O ring
c. Holder	j: Reaction chamber	q: O ring
d. Sponge	k: Water inlet A	r: Air intake device
e. Bracket	l: Surface water degreasing	s: O ring
f. Screw	m: Water outlet part	t: Air hose
g. OTP Pump	n: Pipe	u: Air valve
v: Silencer	w: Sponge	x: Defoaming device

Installation

1. Install the skimmer according to the illustration. Hang it on the back of tank, tighten screw and make sure it's fixed.
2. Put the water in to the skimmer chamber until the water level up to 8 inch, switch off the air valve completely, start the power. After seconds, turn on the air valve as soon as the the pump works properly. When the bubbles coming out perfectly, replace the air valve by the silencer.
3. Adjust the water outlet, so that the bubble stopper could come out a little bit from surface.
4. If power off or shut down in certain circumstance, restart from step 2.

Maintenance

Collection Cup: It should be taken away to clean up at least once a week, depend on the organic load. Cleaning will enhance the extraction substantially.

Reaction Chamber: Internal clean up every 6 months for once.

Safety Tips

1. Do not allow the skimmer pump to run dry.
2. Do not touch the plug with wet hands
3. Do not clean the skimmer with any chemicals that alcohol or ammonia, or it will make the animals in the tank in danger.

Warranty

Reef Octopus skimmers have the 2 year warranty on craftsmanship, one year on the water pump.

We are responsible for the products as long as it's been installed and used properly. Consumable spare parts are not applicable to the warranty.

If Reef Octopus products in hand does not appear to be working correctly or be defective, pls contact the local dealer.

Before calling your dealer pls ensure you have read the manual.

Or you can contact us at www.reefoctopus.com

We hereby reserve the rights to modify and adjust the specification or designs of our products without a prior notification.